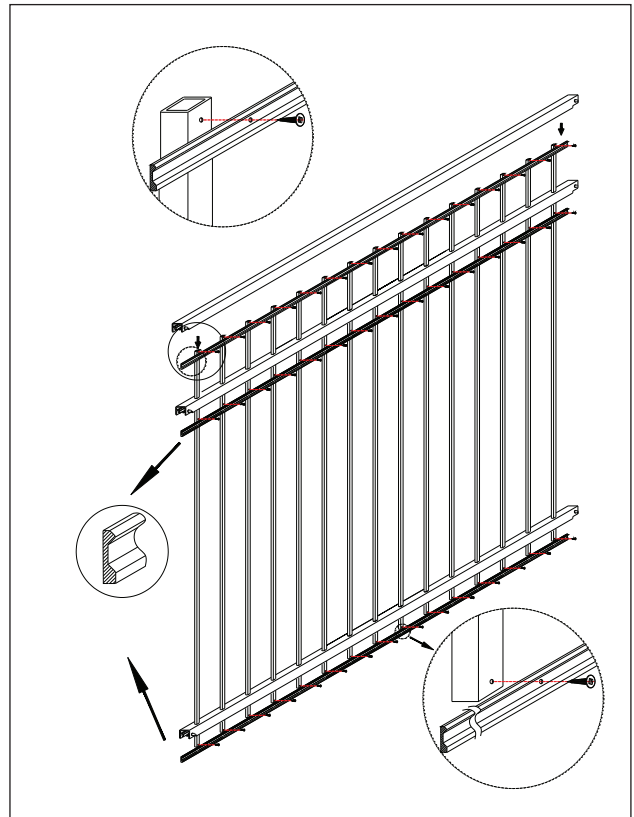
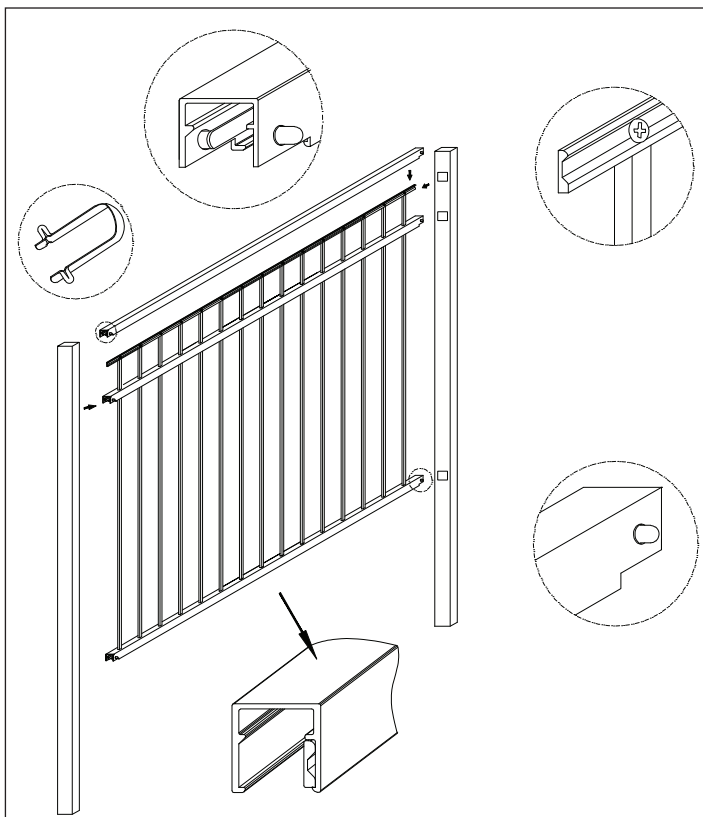


# ForsterKD

## ALUMINUM

*Do it Yourself*

Exclusively Available to  
Distributors & Regional Fabrication Partners



**NOVIS**

Patented Total No Visible Screw System.

Panel Kits from 4 ft high to 8 ft high and 6 ft wide to 8 ft wide with 5/8 inch, 3/4 inch, or 1 inch pickets.

Available from one panel per carton to several hundred panels per pallet.

Contact Forster Company for more information

at **954-481-1824** or at **fence@forsterfence.com**.

[www.forsterfence.com](http://www.forsterfence.com)